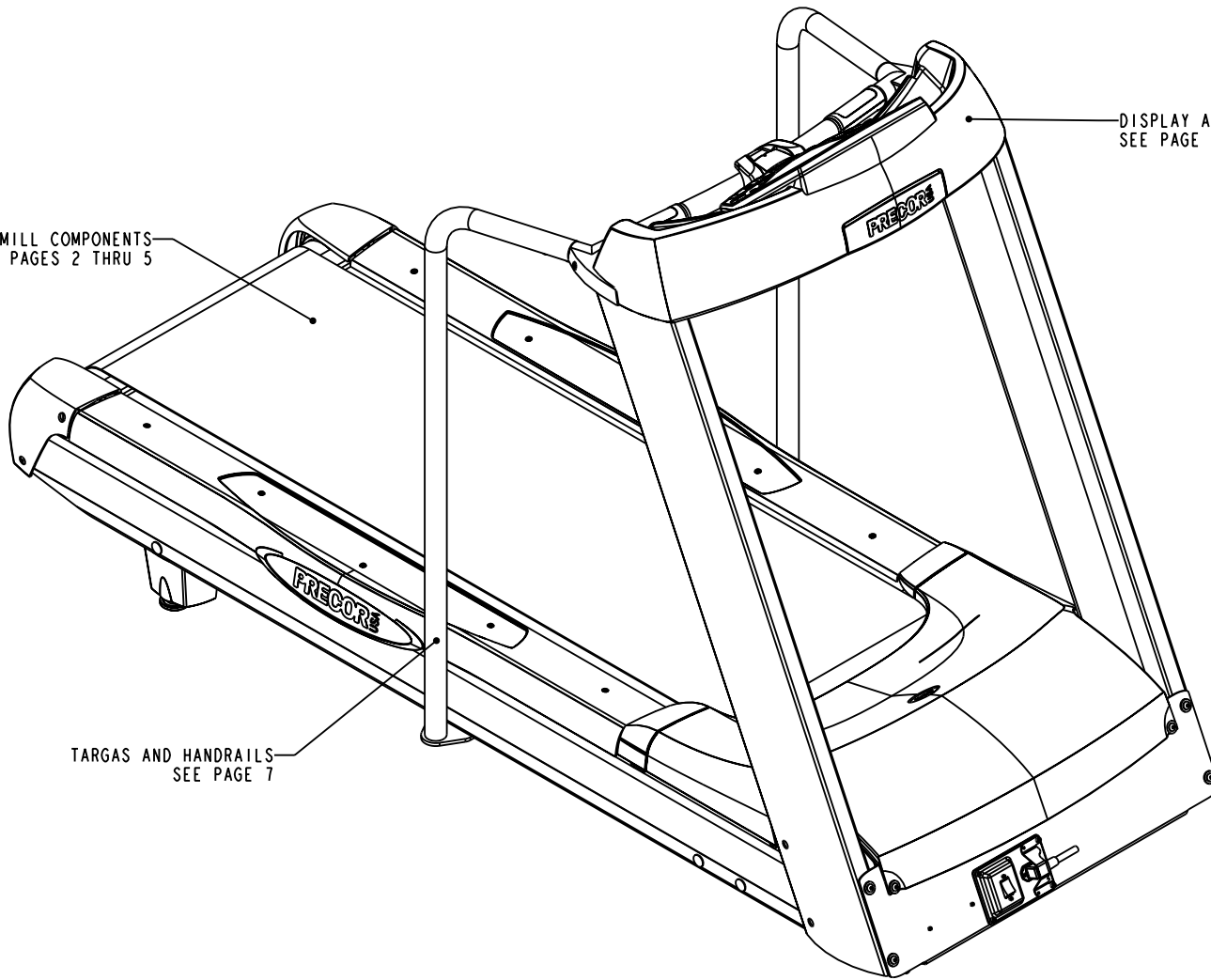


LOWER TREADMILL COMPONENTS
SEE PAGES 2 THRU 5

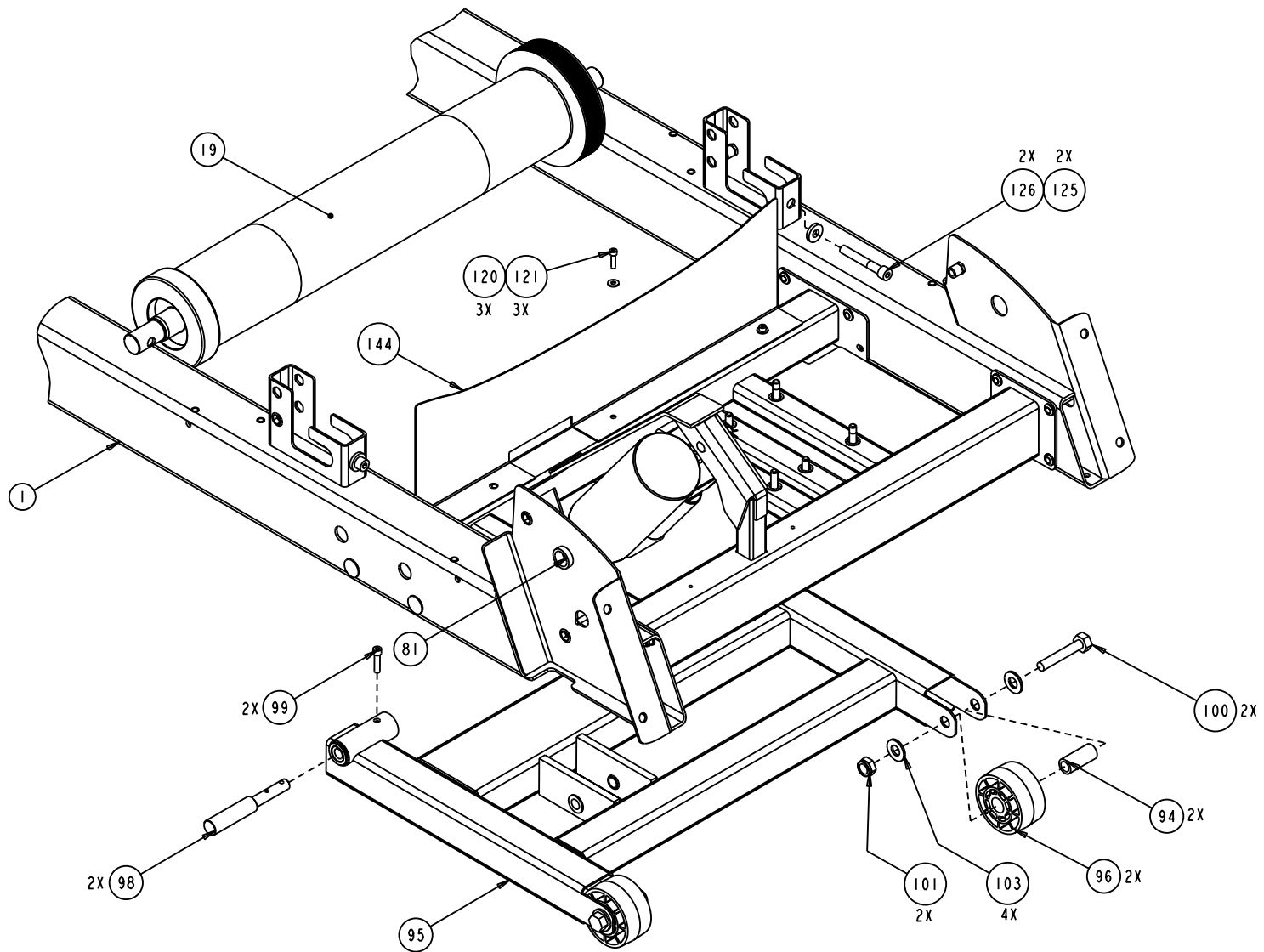
TARGAS AND HANDRAILS
SEE PAGE 7

DISPLAY AND CONSOLE COMPONENTS
SEE PAGE 6

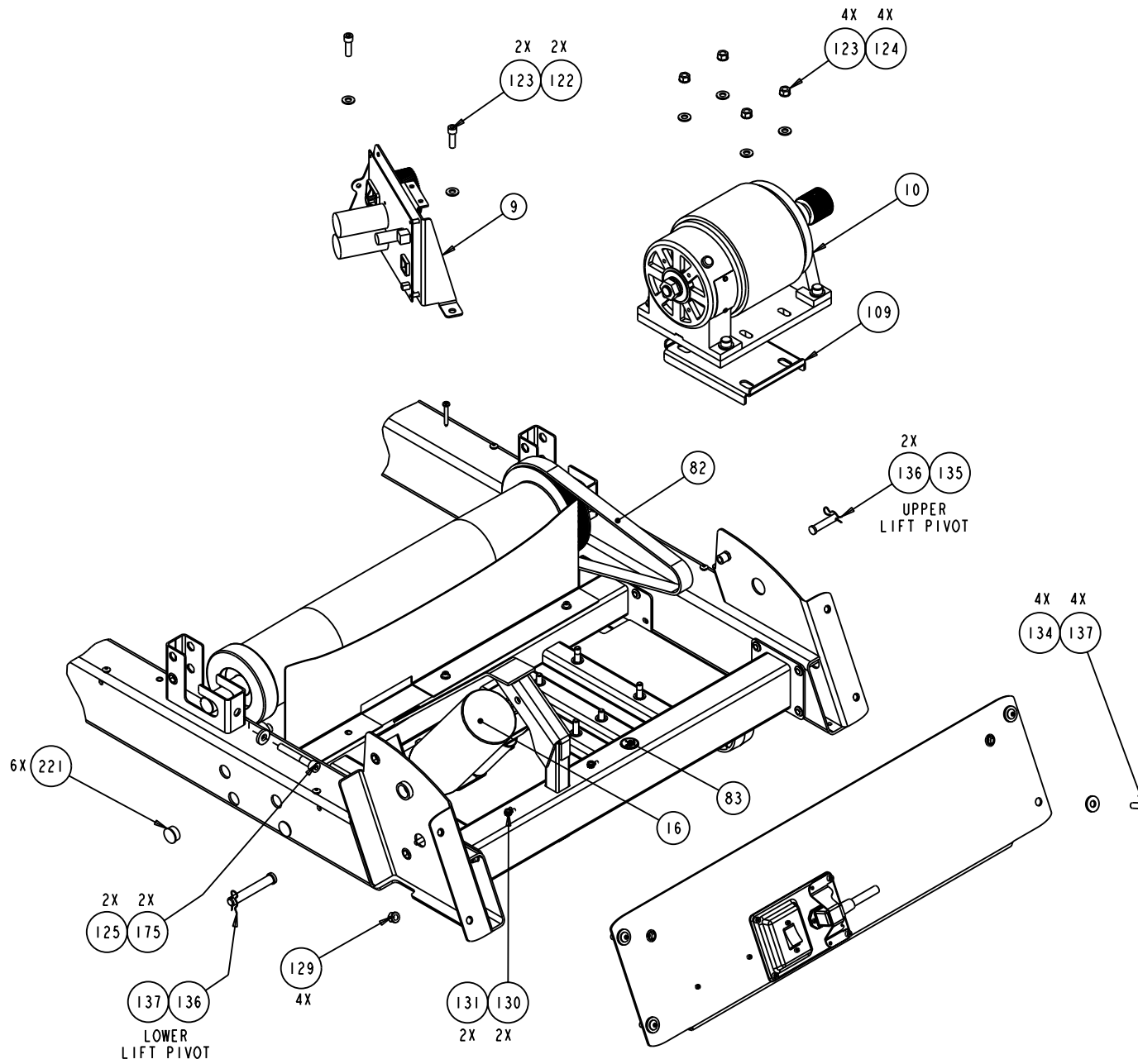


-101: C954i
-102: C956i
-103: C952i

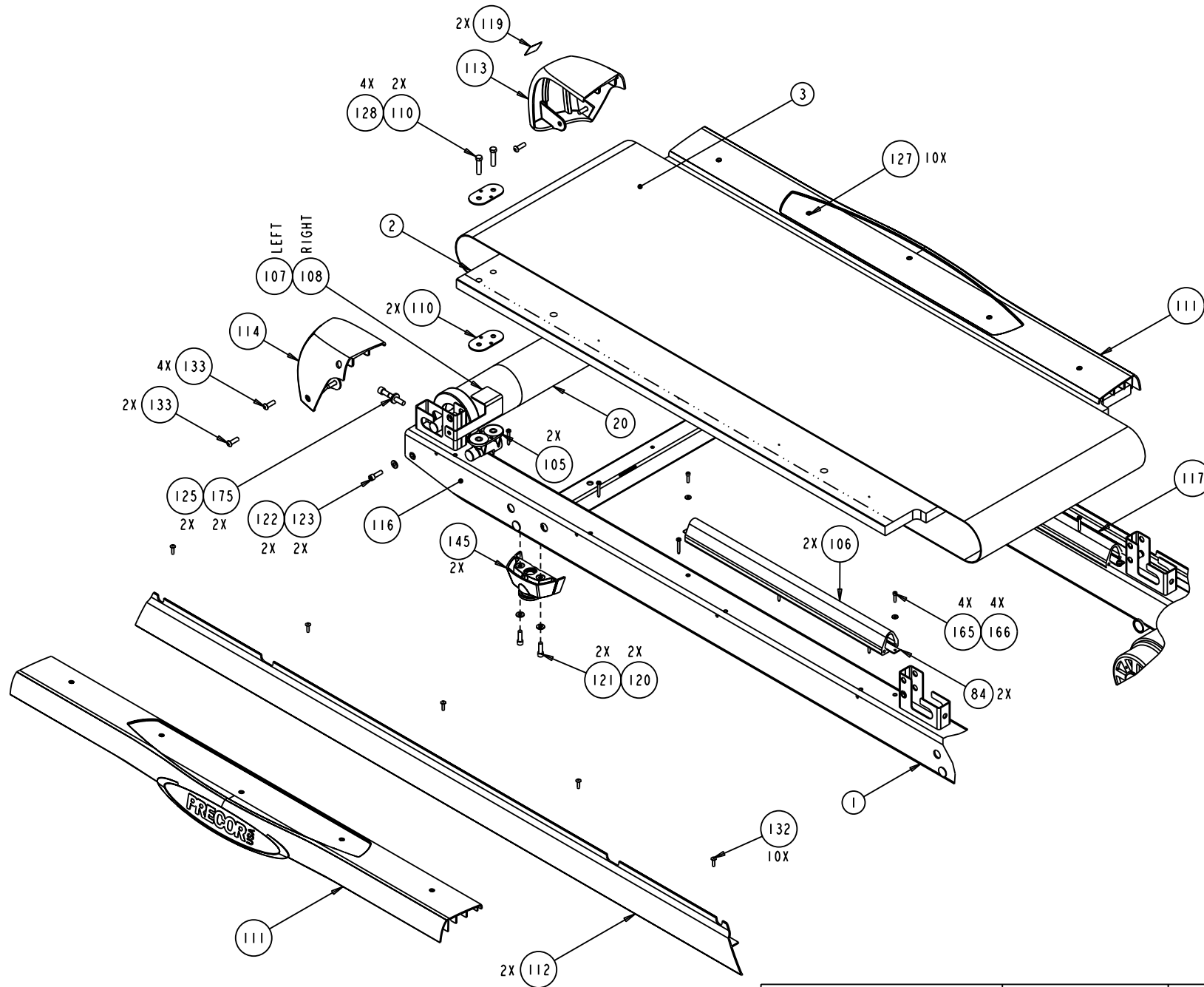
TREADMILL ASSEMBLY, C95Xi	P/N: 47421-XXX	REV: G
DRAWN BY: M.HAMILTON	DATE: 03.08.06	SHEET 1 OF 7



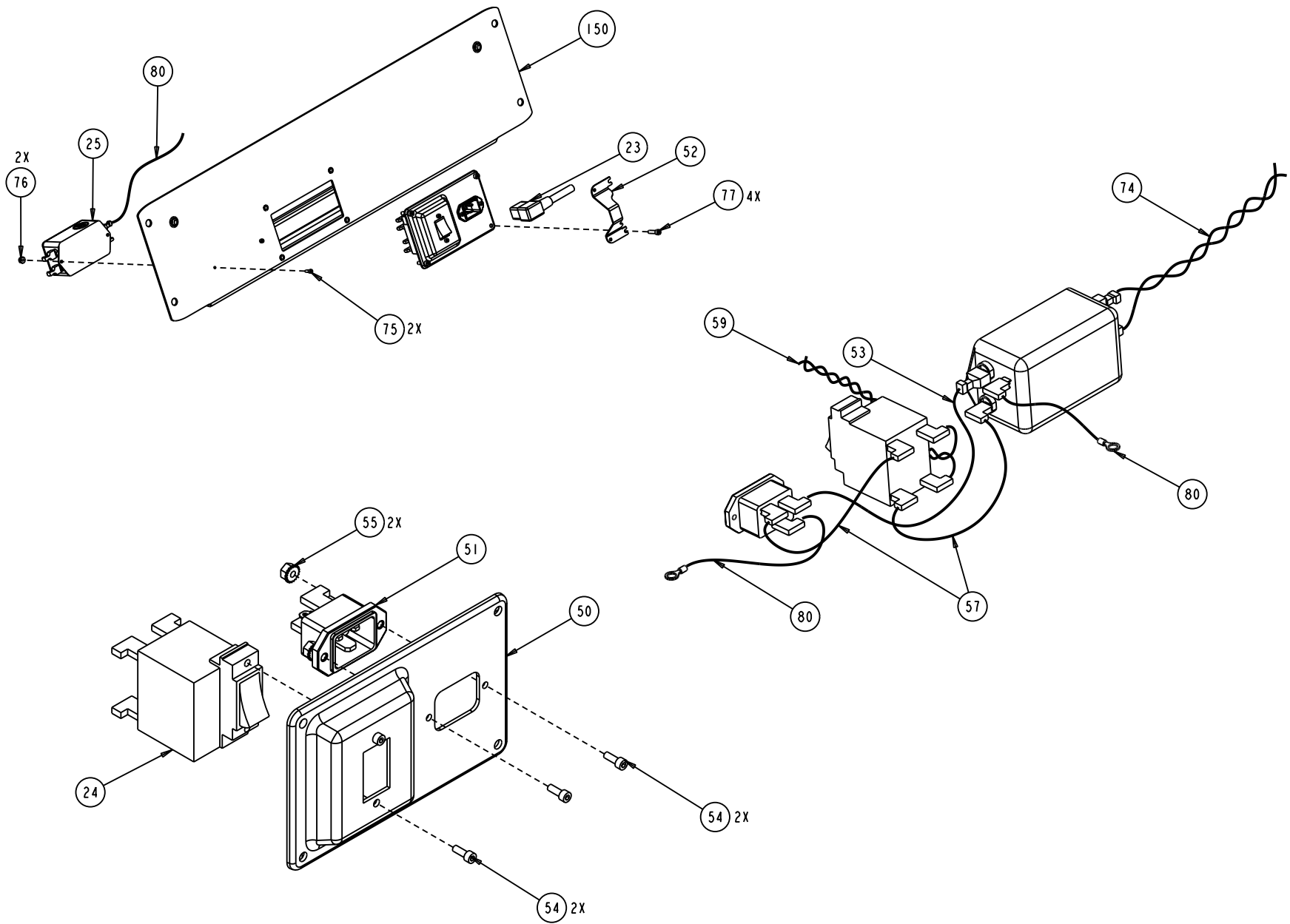
TREADMILL ASSEMBLY, C95Xi	P/N: 47421-XXX	REV: G
DRAWN BY: M.HAMILTON	DATE: 03.08.06	SHEET 2 OF 7



TREADMILL ASSEMBLY, C95Xi	P/N: 47421-XXX	REV: G
DRAWN BY: M.HAMILTON	DATE: 03.08.06	SHEET 3 OF 7



TREADMILL ASSEMBLY, C95Xi	P/N: 47421-XXX	REV: G
DRAWN BY: M.HAMILTON	DATE: 03.08.06	SHEET 4 OF 7



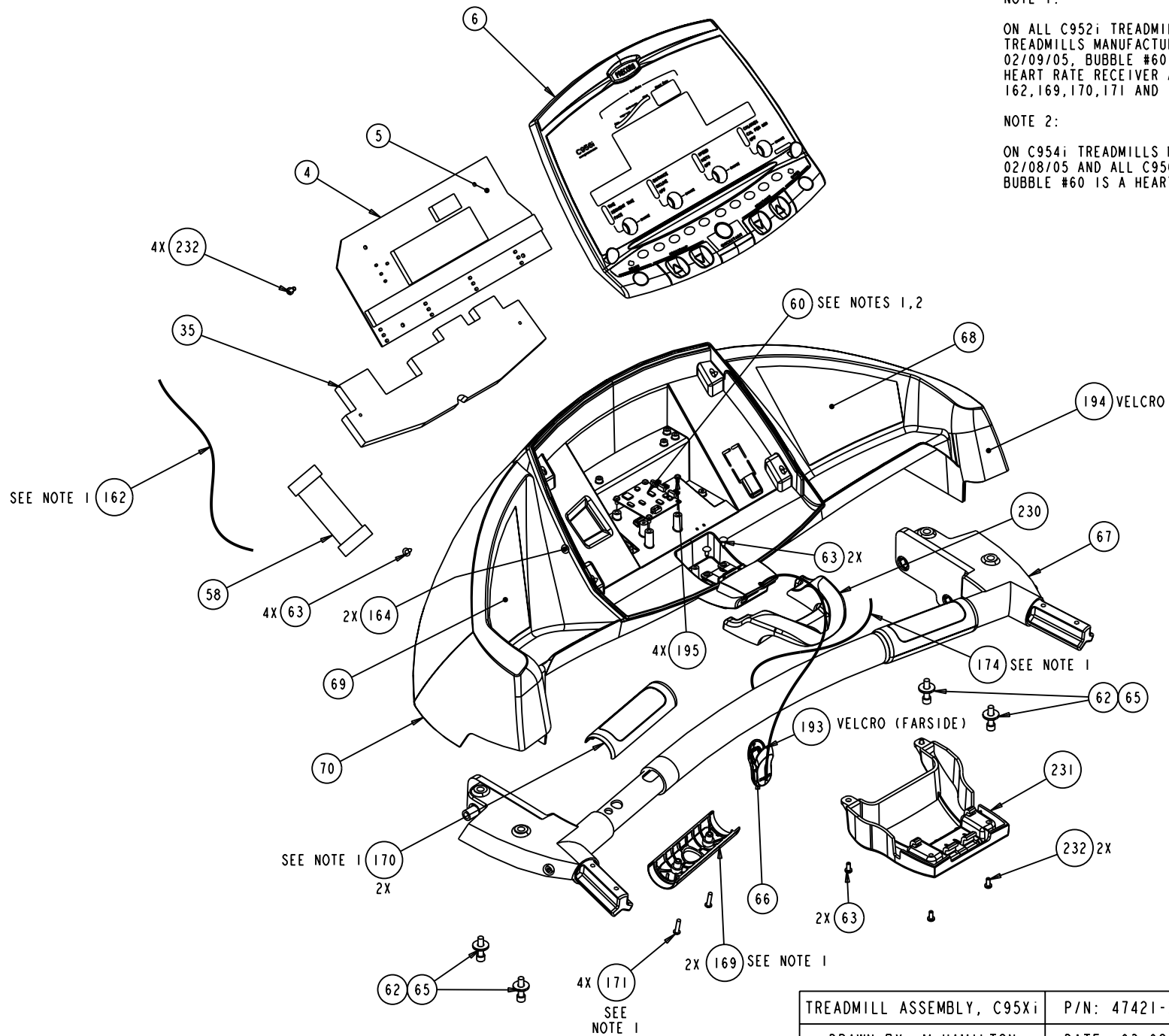
TREADMILL ASSEMBLY, C95Xi	P/N: 47421-XXX	REV: G
DRAWN BY: M.HAMILTON	DATE: 03.08.06	SHEET 5 OF 7

NOTE 1:

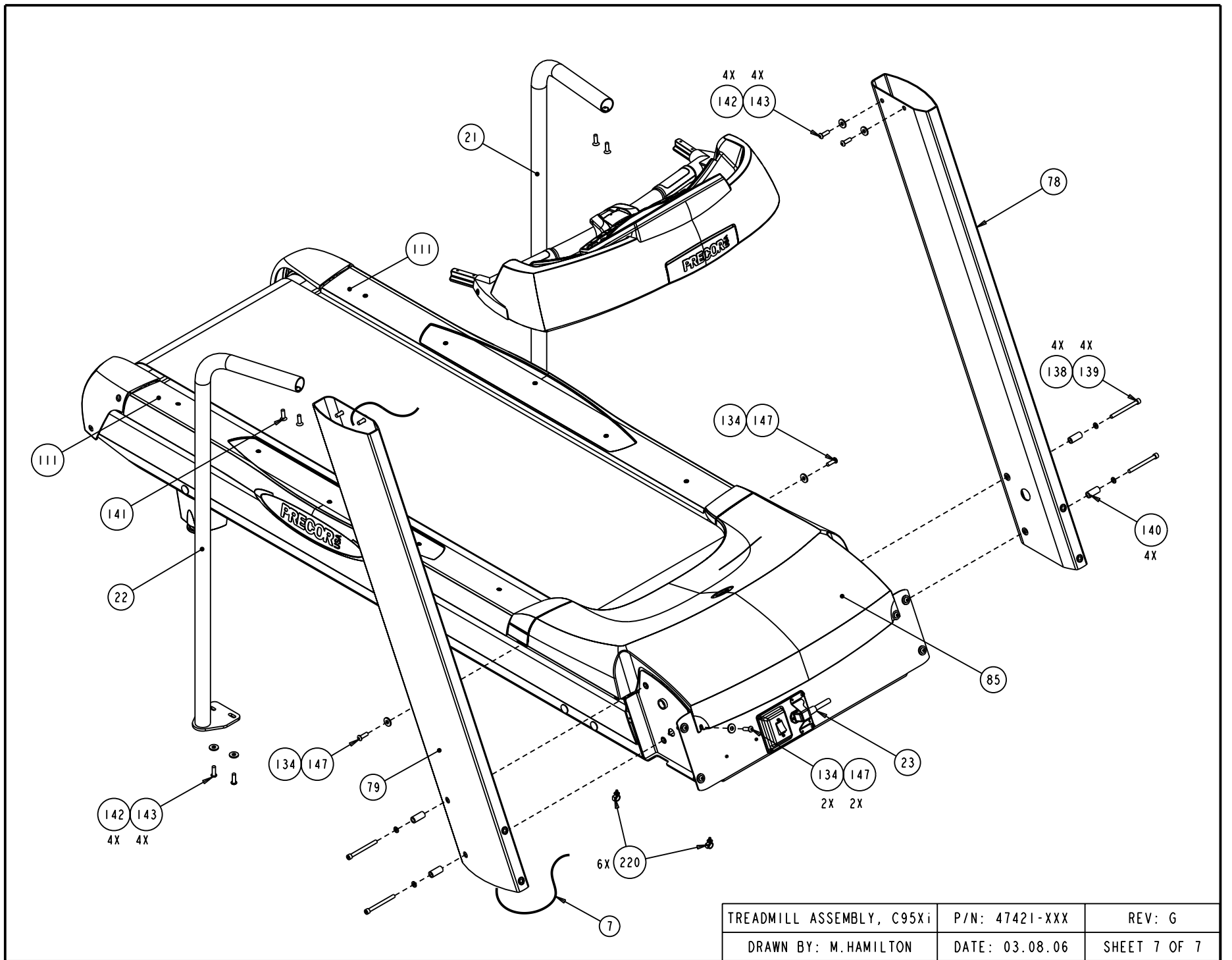
ON ALL C952i TREADMILLS AND C954i TREADMILLS MANUFACTURED PRIOR TO 02/09/05, BUBBLE #60 IS A WIRELESS HEART RATE RECEIVER AND BUBBLES 162, 169, 170, 171 AND 174 ARE NOT FURNISHED.

NOTE 2:

ON C954i TREADMILLS MANUFACTURED AFTER 02/08/05 AND ALL C956i TREADMILLS, BUBBLE #60 IS A HEART RATE PCA.



TREADMILL ASSEMBLY, C95Xi	P/N: 47421-XXX	REV: G
DRAWN BY: M.HAMILTON	DATE: 03.08.06	SHEET 6 OF 7



C954i (120 VAC)(serial code A985, AAAR, ATPM)

Part Number	Description	Bubble Number
59085-101	DECK ASSY WITH SHIPPER	2
36355-125	RUNNING BELT SIEGLING, 132.75 X 20	3
47710-103	ASSY, UPPER PCA & SW, C954I-T3	4
47395-111	ASSEMBLY, DISPLAY, LABEL,EN,T3,C954	6
44905-084	ASSY,CBL,MOD,8P8C,1-1,84"	7
45749-104	ASSY, LOWER ELECTRONICS, C95X-ND,T3	9
59070-103	KIT, ASSY, DRIVE MOTOR, C95XI W/PAC	10
20108-101	ASSY, SPEED SENSOR, CHI-HUA MOTOR	11
44257-103	MOTOR, LIFT ACTUATOR, 120V	16
44214-102	ASSEMBLY, DRIVE ROLLER	19
44212-102	ASSEMBLY, TAKE-UP ROLLER	20
47352-101	WELDMENT, HANDRAIL, SHORT, LEFT	21
47352-102	WELDMENT, HANDRAIL, SHORT, RIGHT	22
47429-144	PWR CORD,125VAC,20A,NEMA 5-20RA45/I	23
10435-101	CKT BRKR,250V,MAGNETIC,ROCKER,	24
11224-102	FILTER,PWR LINE,250VAC,16A	25
44284-301	IC,CPU,PGMD,C95X-ND,LWR,T3/T2,V3.01	27
44411-103	TOUCHSENSOR SHIELD,23-KEY,T2/C2/T3/	35
44275-102	MOUNT, CIRCUIT BREAKER, PLASTIC	50
45381-101	IEC 16/20A POWER CORD INLET	51
47252-101	90 DEGREE POWER CORD CLAMP, C95X.	52
45383-009	ASSY,CBL,1 COND,14AWG,QK DISC,FLAG,	53
CCNE013-038	SCREW, SKHD,6-32X3/8,SS,LK	54
KGCN013-011	LOCKNUT, STARWASHER 6-32, #6	55
44528-006	ASSY,CBL,1 COND,14AWG,QK DISC,6",BR	57
45696-028	ASSY,CBL,FFC,12COND,28AWG,2.8"	58
44532-024	ASSY,CBL,2 COND,22 AWG,MOLEX, 24"	59
43579-106	BOARD, CHR & WIRELESS/CONTACT PRIOR	60
WNKN026-006	WASHER,FLT,1/4X.625X.063,BLK ZN	61
MGCN016-038	SCREW,MCH,8-32X3/8,PANHD,PHIL,	63
PGKN016-050	SCREW,S/T,#8X1/2,TRS,PHIL,BLK	63
CAKN025-100	SCREW,SKHD,1/4-20X1,BLK ZN,LK	65
44202-104	ASSEMBLY, STOP BUTTON	66
45649-101	ASSEMBLY, HANDLEBAR, COMMERCIAL TRE	67
47374-111	LABEL, RIGHT DASH, EN, C954I	68
47373-111	LABEL, LEFT DASH, EN, C954I	69
39004-106	DASH,CONSOLE, STONE GREY	70
45273-023	ASSY, CABLE, FILTER TO TERMINAL BLK	74
CCNE013-038	SCREW, SKHD,6-32X3/8,SS,LK	75
KGCN013-011	LOCKNUT, STARWASHER 6-32, #6	76
CAKN019-075	SCREW, SKHD,10-24 X 0.75,BLK ZN,LK	77
44216-105	ASSEMBLY, TARGA, LEFT,STONE	78
44216-106	ASSEMBLY, TARGA, RIGHT,STONE	79
44534-008	ASSY,CBL,1COND,14AWG,QK DISC,8"	80
10178-107	BUSHING, SNAP	81
10217-134	BELT, DRIVE, 320J10 POLY V	82
33984-101	LABEL, SAFETY, GROUND SYMBOL	83
44074-103	STRAP, GFX TIE DOWN	84
44224-103	ASSEMBLY, HOOD, STONE GRAY	85

36192-101	BUSHING, SPANNER	94
44227-103	ASSEMBLY, LIFT,WELDMENT	95
44270-101	WHEEL, LIFT	96
44273-104	PIN, QUICK RELEASE	98
CAKN025-100	SCREW,SKHD,1/4-20X1,BLK ZN,LK	99
HCKN050-250	SCREW,HEX,GR 5,1/2-13X2-1/2,BLK ZN	100
KACN050-019	LOCKNUT,HALF,1/2-13,ZN	101
WBCN050-010	WASHER, FLT, 1/2, ID=.531,	103
44234-101	DECK PIVOT	105
44236-101	GFX CUSHION	106
44258-103	BRIDGE, LEFT, PAINTED	107
44258-104	BRIDGE, RIGHT, PAINTED	108
44259-101	BRACKET, MOTOR	109
44263-101	PLATE, SPACER, DECK	110
47286-101	TRIM, DECK	111
47034-103	COVER, SIDERAIL, C954I, BLACK	112
44272-109	ENDCAP, LEFT,PT,STONE	113
44272-110	ENDCAP, RIGHT,PT,STONE	114
47962-101	LABEL, CAUTION, ENDCAP, SLATE GRAY	119
CAKN031-100	SCREW,SKHD,5/16-18X1,BLK ZN,LK	122
WBCN031-007	WASHER,FLT,5/16X.688X.065, ZN	123
CKKN038-250	SCREW,SKHD,3/8-24X2.50L,BLK ZN,.78	125
PBKN019-150	SCREW,S/T,#10X1-1/2,PANHD,PHIL,BLK	127
HCCN038-150	SCREW,HEX,GR 5,3/8-16X1 1/2,ZN	128
KGCN031-027	LOCKNUT,STARWASHER,5/16-18,1/2	129
PKCN019-050	SCREW,S/T,#10X1/2,WSHHXHD,ZN	130
WAMCN019-002	WASHER, LOCK, EXT TOOTH, #10	131
TAKN019-075	SCREW,BTHD,10-24X3/4,BLK ZN	132
TCKN031-100	SCREW, BTNHD, 5/16-18 X 1, BLK ZN	133
WPNN038-008	WASHER,FLT,5/16X.875X.104,SS	134
10401-106	PIN,CLEVIS, 3/8 X 1.75, SILVER	135
10400-103	PIN, HITCH, .093 DIA, SILVER CAD, #	136
45669-102	PIN, LIFT PIVOT, 3.34, MUSHROOM HEA	137
CAKN031-350	SCREW,SKHD,5/16-18 X 3.50,BLK ZN,LK	138
WPNN033-005	WASHER,FLT,5/16X.562X..060,AN960C	139
44060-103	SPACER, TARGA BOLT, 2.500 L	140
MRNN025-100	SCREW, MCH,1/4-20X1,FLTHD,HEX	141
TCNN031-100	SCREW,BTHD,5/16-18X1, SS	142
WPNN038-008	WASHER,FLT,5/16X.875X.104,SS	143
44019-104	ASSEMBLY, REAR FOOT, C95X-ND	145
TCNN031-100	SCREW,BTHD,5/16-18X1, SS	147
44226-102	ASSEMBLY, DRESS PLATE, BLACK	150
44954-013	ASSY,CBL,HHHR TO DISPLAY,13"	162
12157-102	BUMPER, RUBBER BUMPON, .44 X .20	164
CAKN019-075	SCREW, SKHD,10-24 X 0.75,BLK ZN,LK	165
WACN019-005	WASHER, FLT, #10X.500X.049,ZN	166
42714-102	HHHR SENSOR,BOTTOM	169
42713-102	HHHR SENSOR, TOP	170
TCNN016-075	SCREW, BTHD, 8-32X.75,SS	172
12262-102	WIRE CLIP,FOAM TAPE BACK	173
47342-018	ASSY, CABLE, HHHR PCA TO GRIP, W/SH	174

WAVCN038-015	WASHER, FLAT, 3/8 X .875 X .150	175
12264-101	RJ-45 TELEPHONE JACK PLUG	180
45728-102	ENCLOSURE, UPPER	192
10762-110	VELCRO, BLACK HOOK, 1.50 X 1.00	193
10762-109	VELCRO, BLACK LOOP, 1.50 X 1.00	194
MGCN013-025	SCREW, MCH, 6-32X1/4, PANHD, PHIL,	195
44201-103	SWITCH MOUNT, M9.5X, C95X	196
45283-011	ASSY, CBL, UPPER SAFETY SWITCH, 11"	197
12259-102	SWITCH, MICRO, PLUNGER, SPNC	198
44289-102	HARDWARE KIT, C95X-ND, C966	200
10186-101	WRENCH, ALLEN, 5/32	201
10186-102	WRENCH, ALLEN, 1/4	202
10186-103	WRENCH, ALLEN, 3/16	203
10186-104	WRENCH, ALLEN, 5/16	204
11075-020	FUSE, 200MA, 250VAC, SLOW, RADIAL	205
11075-102	FUSE, 1.00A, 250VAC, SLOW, RADIAL	206
11075-105	FUSE, 2.00A, 250VAC, SLOW, RADIAL	207
12414-101	CABLE CLAMP INSERT, SNAP IN	220
10114-109	CAP, PLASTIC HEYCO #2693 BLACK	221
37436-101	LABEL, CHASIS NEUTRAL	223
47408-102	SHIELD, STOP BUTTON, UPPER, STONE GR	230
47409-102	SHIELD, STOP BUTTON, LOWER, STONE GR	231
MGCN016-038	SCREW, MCH, 8-32X3/8, PANHD, PHIL,	232
20002-113	BRUSH W/ LEAD, CHI HUA 93 SERIES DC	235
20002-117	GROUND BRUSH, CHI HUA 93 SERIES DC	236
44465-004	ASSY, CLB, 1C,, 14 AWG, QK DISC, BLK, 4"	299
48440-101	LITERATURE KIT, C954I	999